

Art. 97A

Valv. a sfera 2 vie femm./femm.

Ball valve - male ends

Vanne a boule fil./fil.

Kugelventil - Gew./Gew.



ART. 106

Valvola a sfera 2 vie f/f gas

Ball valve - fem./fem gas

Vanne a boule fem/fem gaz

Kugelventil - IG/IG gas



ART. 98A

Valv. a sfera 2 vie mas./femm.

Ball valve - male/female

Vanne a boule d.e./fil.

Kugelventil - KM/gew.



ART. 108

Valvola a sfera 2 vie f.gas/f.DIN

Ball valve - fem gas/male DIN

Vanne a boule fem gaz/male DIN

Kugelventil - IG gas/AG DIN



ART. 99A

Valvola a sfera 2 vie mas./mas.

Ball valve - female/female

Vanne a boule d.e./d.e.

Kugelventil - KM/KM



art. 108A

Valv. a sfera 2 vie masc. gas/f. DIN

Ball valve - male gas/male DIN

Vanne a boule male gaz/male DIN

Kugelventil - Gew gas/Gew DIN



ART. 100A

Valv. a sfera 2 vie Flangia/femm.

Ball valve - fl./male

Vanne a boule bride/fil.

Kugelventil - fl/Gew



ART. 260

Valv. a sfera 2 vie garolla/garolla

Ball valve - garolla/garolla

Vanne a boule garolla/garolla

Kugelventil garolla/garolla



ART. 101

Valvola a sfera 2 vie Flangiate

Ball valve - fl./fl.

Vanne a boule bride/bride

Kugelventil - fl/fl



ART. 261

Valv. a sfera 2 vie f.gas/garolla

Ball valve - fem gas/garolla

Vanne a boule fem gaz/garolla

Kugelventil - IG gas/garolla



ART. 107

Valv. a sfera 2 vie Flangia/f. gas

Ball valve - flange/fem. gas

Vanne a boule bride/fem. gaz

Kugelventil - fl./IG gas



ART. 263

valv. sfera 2 vie mg DIN/garolla

Ball valve - female DIN/garolla

Vanne a boule D.E.DIN/garolla

Kugelventil - KM DIN/garolla



ART. 262

Valv. a sfera 2 vie Flangia/garolla

Ball valve - flange/garolla

Vanne a boule bride/garolla

Kugelventil - fl./garolla



art. 264

Valv. sfera 2 vie m. gas/garolla

Ball valve - male gas/garolla

Vanne a boule male gaz/garolla

Kugelventil - AG gas/garolla

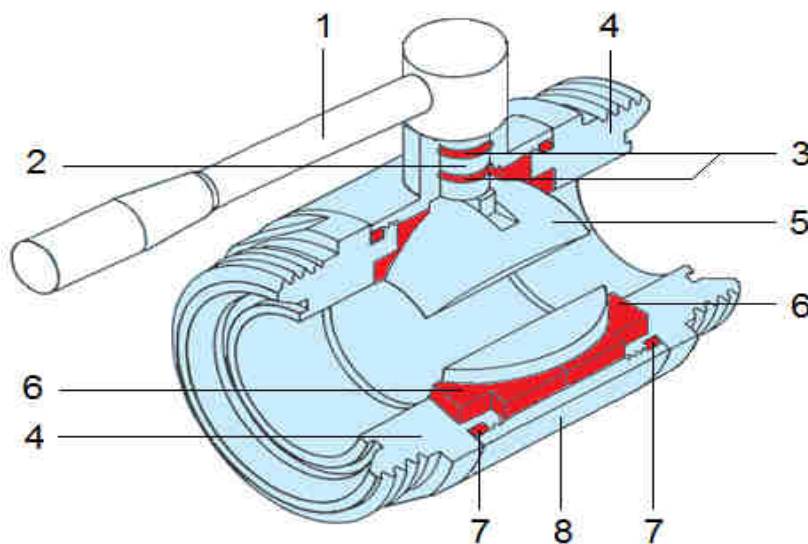
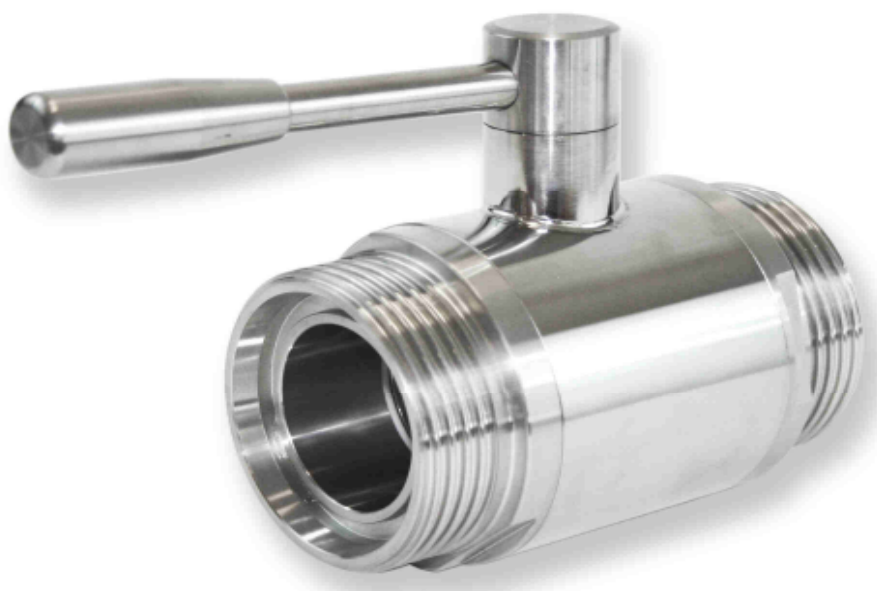


Caratteristica essenziale: assenza assoluta di angoli morti

Essential characteristic: absolute lack of dead angles

Appréciation essentiel: l'absence absolue d'angles morts

Wesentliche Charakteristik: Keine toten Winkel



Part	Mat.	Descrizione - Description - Description - Beschreibung
1	Aisi 304/316	Maniglia - Handle - Poignée - Handgriff
2	Aisi 304/316	Perno - Pin - Tige - Zapfen
3	NBR/EPDM/SIL /FKM	O-ring - O-ring - O-ring - O-ring
4	Aisi 304/316	Attacco - Connection - Bout - Verbindung
5	Aisi 304/316	Sfera - Ball - Boule - Kugel
6	Teflon(PTFE)	Guarnizione - Seal ring - Joint - Dichtring
7	NBR/EPDM/SIL /FKM	O-ring - O-ring - O-ring - O-ring
8	Aisi 304/316	Corpo - Casing - Corp - Ventil Körper