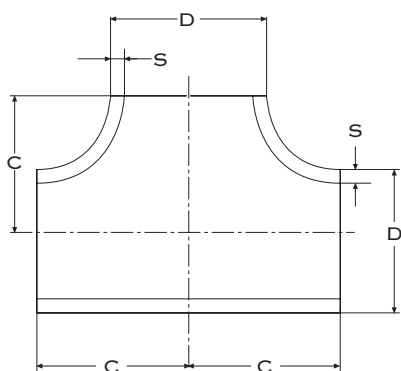


**TEES UGUALI**  
(senza saldatura e saldati)  
**ASME B 16.9 ASTM A 403**  
**CERTIFICATI: EN 10204/3.1B**

**EQUAL TEES**  
(seamless and welded)  
**ASME B 16.9 ASTM A 403**  
**CERTIFICATES: EN 10204/3.1B**



**CARATTERISTICHE TECNICHE**  
**ESECUZIONE:** senza saldatura  
**MARCATURA:** marchio del produttore;  
numero di colata, dimensioni, tipo di acciaio  
**CERTIFICATI EN 10204/3.1B**

**TECHNICAL INFORMATION**  
**EXECUTION:** seamless  
**MARKING:** producer's name;  
heat number, dimensions, steel  
**CERTIFICATES EN 10204/3.1B**

Ø est. mm x Sp. mm Outs. Ø mm x Thck. mm	Dimensioni Dimensions	Peso teorico Kg/pz. Theoric weight Kg/pcs.	Tipo Type	C
21.34 x 2.11	1/2" SCH 10S	0.07	A-403	25.0
21.34 x 2.77	1/2" SCH 40S	0.08	A-403	25.0
21.34 x 3.73	1/2" SCH 80S	0.11	A-403	25.0
21.34 x 4.75	1/2" SCH 160	0.14	A-403	25.0
26.67 x 2.11	3/4" SCH 10S	0.09	A-403	29.0
26.67 x 2.87	3/4" SCH 40S	0.11	A-403	29.0
26.67 x 3.91	3/4" SCH 80S	0.16	A-403	29.0
26.67 x 5.54	3/4" SCH 160	0.22	A-403	29.0
33.40 x 2.77	1" SCH 10S	0.20	A-403	38.0
33.40 x 3.38	1" SCH 40S	0.24	A-403	38.0
33.40 x 4.55	1" SCH 80S	0.32	A-403	38.0
33.40 x 6.35	1" SCH 160	0.44	A-403	38.0
42.16 x 2.77	1.1/4" SCH 10S	0.33	A-403	48.0
42.16 x 3.56	1.1/4" SCH 40S	0.41	A-403	48.0
42.16 x 4.85	1.1/4" SCH 80S	0.54	A-403	48.0
42.16 x 6.35	1.1/4" SCH 160	0.72	A-403	48.0
48.26 x 2.77	1.1/2" SCH 10S	0.46	A-403	57.0
48.26 x 3.68	1.1/2" SCH 40S	0.60	A-403	57.0
48.26 x 5.08	1.1/2" SCH 80S	0.80	A-403	57.0
48.26 x 7.14	1.1/2" SCH 160	1.12	A-403	57.0
60.33 x 2.77	2" SCH 10S	0.63	A-403	64.0
60.33 x 3.91	2" SCH 40S	0.87	A-403	64.0
60.33 x 5.54	2" SCH 80S	1.20	A-403	64.0
60.33 x 8.71	2" SCH 160	1.89	A-403	64.0
73.03 x 3.05	2.1/2" SCH 10S	1.01	A-403	76.0
73.03 x 5.16	2.1/2" SCH 40S	1.66	A-403	76.0
73.03 x 7.01	2.1/2" SCH 80S	2.19	A-403	76.0
88.90 x 3.05	3" SCH 10S	1.37	A-403	86.0
88.90 x 5.49	3" SCH 40S	1.90	A-403	86.0
88.90 x 7.62	3" SCH 80S	3.25	A-403	86.0
88.90 x 11.13	3" SCH 160	5.87	A-403	86.0
114.30 x 3.05	4" SCH 10S	2.15	A-403	105.0
114.30 x 6.02	4" SCH 40S	4.13	A-403	105.0
114.30 x 8.56	4" SCH 80S	5.74	A-403	105.0
114.30 x 13.49	4" SCH 160	9.05	A-403	105.0
141.30 x 3.40	5" SCH 10S	3.48	A-403	124.0
141.30 x 6.55	5" SCH 40S	6.55	A-403	124.0
168.28 x 3.40	6" SCH 10S	4.76	A-403	143.0
168.28 x 7.11	6" SCH 40S	9.73	A-403	143.0
168.28 x 10.97	6" SCH 80S	12.80	A-403	143.0
219.08 x 3.76	8" SCH 10S	8.46	A-403	178.0
219.08 x 8.18	8" SCH 40S	18.00	A-403	178.0
219.08 x 12.70	8" SCH 80S	27.40	A-403	178.0
273.05 x 4.19	10" SCH 10S	14.20	A-403	216.0
273.05 x 9.27	10" SCH 40S	30.60	A-403	216.0
323.85 x 4.57	12" SCH 10S	21.60	A-403	254.0
323.85 x 9.53	12" SCH 40S	44.30	A-403	254.0
355.60 x 4.78	14" SCH 10S	27.30	A-403	279.0
355.60 x 9.53	14" SCH 40S	53.70	A-403	279.0
406.40 x 4.77	16" SCH 10S	58.90	A-403	305.0
406.40 x 9.53	16" SCH 40S	99.70	A-403	305.0